



Side Guide Cables



Side Guide Channels



Intermediate Guide Cables (Optional)

HELIOSHADE®

MOTORISED EXTERNAL VENETIANS

Design daylight with HELIOSHADE® external venetian range. It's the advanced external venetian blind system that provides optimal heat protection and unsurpassed light control. Perfect for domestic or commercial environments, the slats let in natural sunlight whilst minimising uncomfortable hothouse effects and eliminating blinding glare.

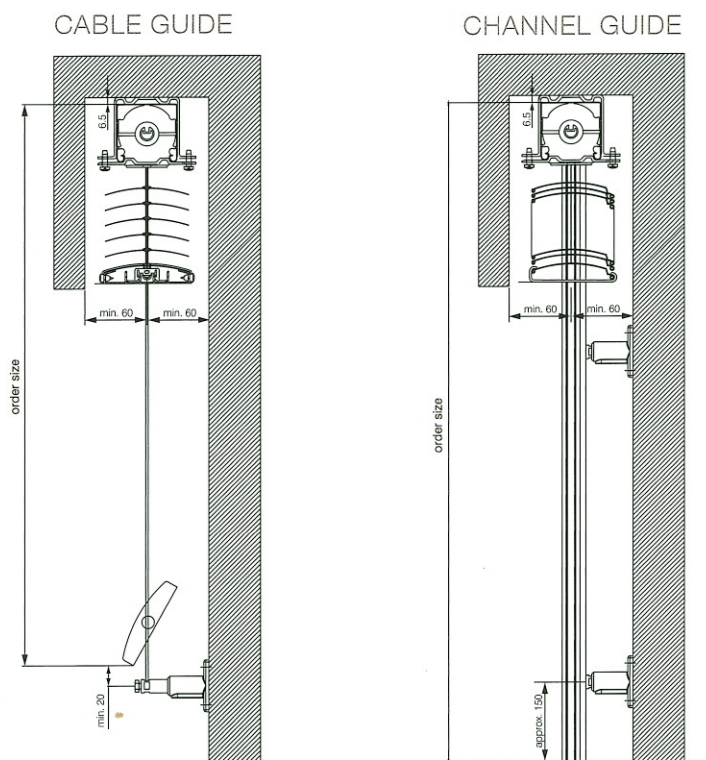
Featuring a range of stylish 60/70/80/90mm curved and flat slats with baked enamel finish offering options such as rolled edges to provide extra stability/anti vibration, HELIOSHADE® external venetians suit any external façade and come in a range of modern designer colours and can be controlled by switch, hand held remote control or automated building management systems.

The elegant slats can be set to any position by raising, lowering and tilting to allow room temperature and light level to be perfectly matched to user requirements. when fully retracted system provides a completely un-obstructed view.

Unaffected by extreme temperature changes, HELIOSHADE® external venetians reduce the sun's penetration by up to 90% providing airconditioning cost efficiencies. Whether you are an architect looking for a solution to help attain a Green Star™ rating for an office block or you're conscious about your own needs in the home – the HELIOSHADE® external venetian range has your environmental concerns covered. Its offers a practical and robust intelligent sun control solution – satisfying the most ambitious design demands of modern architecture.

GUIDING OPTIONS

- 2mm stainless steel cable guiding – sheathed in PVC for added anti-corrosion and noise reduction
- 18 x 36mm extruded aluminium side channel with noise reducing lining
- Adjustable fixing brackets adjust side guides from 55 to 74mm from wall (or custom sizes on request)
- Optional reveal fixing, recessed, self-supporting, coupled and circular side channel options also available.



(dimensions in mm)